

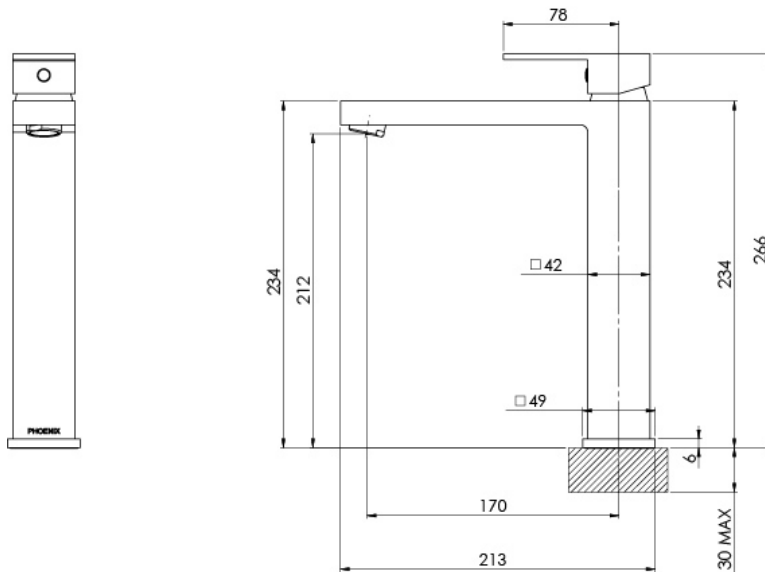
Baxi Vessel Mixer
156790000



Features:

- 5.0L/min
- Extended body height for use with above-counter basins
- Solid brass construction
- 25mm ceramic cartridge
- Coloured hot and cold indicators

Finish:



NOTE: Images, specifications and dimension correct at the time of publishing. It is advised that these details be confirmed prior to installation as no liability will be taken by Bowermans Office Furniture for any changes in specifications.